

Protects Sleek design Ultra-compact box Folding arm awning BX270

The compact BX270 is an amazing new product and with its ultra-compact box can be integrated seamlessly into any façade. The innovative structure with its wide wall brackets allows you to mount the awning on almost any surface. The closed box system ensures that when rolled up the fabric is fully protected against dirt and extreme weather conditions. The extension pole has a subtly integrated water drain.



**LED LIGHTING
OPTIONAL**

Unique properties: folding arm awning BX270

Sleek design

100% Belgian custom-made

Ultra-compact and
fully enclosed box

Choice of classic
or modern look

Fabric is protected from
wind and weather

LED light with infinitely
variable dimming option



Folding arm awnings that perfectly match your exterior joinery

All RAL colours at a standard price.
Harol also offers the standard textured coating colours from these window manufacturers at no extra cost:

K-7 RAL range



aliplast
aluminium systems

profel
ALUMINIUM SYSTEME

REYNAERS
ALUMINIUM

sapa:
buildingsystem
ARCHITECTURAL ALUMINIUM SOLUTIONS

Finstral

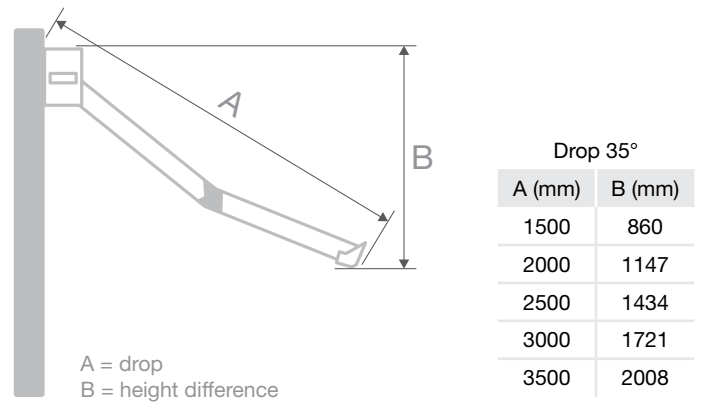
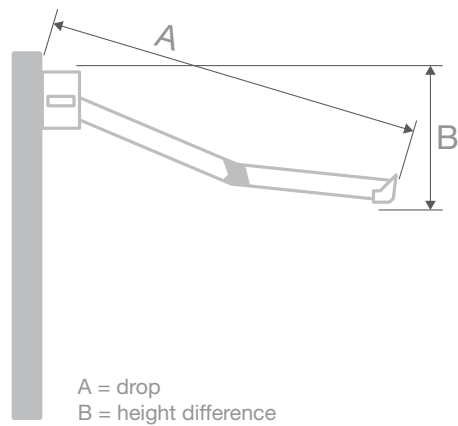
Create the ideal atmosphere with LED lighting



Discover our full range of awnings



Drop versus height difference



Optional extras

- » Valance for extra shade
- » LED lighting (680 lumens/m)
- » Sun, wind and rain sensor

Dimensions

- » Max. width: 7 m (12 m in 2 parts)
- » Max. drop: 3.5 m
- » Min. drop: 1.5 m
- » Max. angle: 35°
- » Min. angle: 10°
- » Assembly at min. 2.5 m height



HAROL®

SUN PROTECTION • OUTDOOR LIVING • ROLLER SHUTTERS • GARAGE DOORS